



LAUNDRY

## WASHER EXTRACTOR PLM-40



### AVAILABLE OPTIONS

- Connection to automatic detergent pumps
- Water recovery system: The water from the last rinse is used in the first cycle of the next immediate program.
- Hard water inlet
- Weighting system: Loaded linen weight is displayed on IM 8 screen
- Wet cleaning: 6 detergent pumps on trolley and holed door glass for injection
- Coin operated: Coin box, prepaid key or central cash
- Gas, steam, or electric power

### STANDARD FEATURES

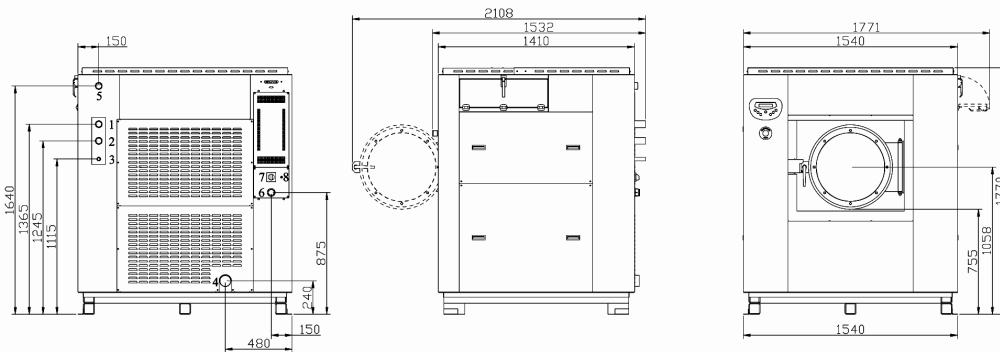
- Top, frontal, and side panels in stainless steel AISI 304
- Drum and outer drum in stainless steel AISI 304
- Ground mounted: A fixing is necessary
- IM8: An intuitive touch screen computer with up to 200 programs in 15 different languages. Also equipped with a large LCD screen making it easy to understand, use, and program with simple icons and photos
- IM 8 allows the user to easily customize wash cycles
- Half load programs with automatic reduction of washing level and detergent dosing are available as well
- GSM remote assistance: Each machine is equipped with a GSM module to allow for remote diagnosis and service
- PBS: Power balance system prevents unbalance problems caused by incorrect loading
- USB port: Allows for file downloads from machine to Pc or from machine to machine
- Motorized door lock: An automatic door lock that is activated at the start of the program
- Ergonomics: The display is tilted to avoid any reflection on the screen, It's large door diameter makes the loading/unloading easier

# WASHER EXTRACTOR PLM-40

## Technical Data

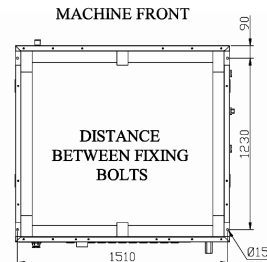
Washer capacity	40 Kg
Drum dimensions (ØxP)	977 mm x 535 mm (530 mm load Ø)
Wash speed	34 RPM (400 RPM Low level) (830 RPM High level)
Electric heating element (Total power)	6 x 4 kW (32 Kw) *16kWh consumption
G-factor	377
Drum volume	400L
Water consumption	702L (166L Low level) (174L High level)
Steam consumption (Max. pressure)	28 Kg (4.5 Bar) 82kW total power
Machine dimensions (LxWxH)	1410 mm x 1540 mm x 1770 mm
Packing dimensions (LxWxH)	1500 mm x 1700 mm x 1910 mm
Gross weight / Net weight	1540 Kg / 1490 Kg

## Detail & Dimensions



- 1 - Cold water inlet 1"1/2 - Press 0,5 ÷ 10 bar
- 2 - Hot water inlet 1"1/2 - Press 0,5 ÷ 10 bar
- 3 - Steam inlet 3/4"
- 4 - Drain Ø80 mm

- 5 - Bleed
- 6 - Electrical power
- 7 - Main switch
- 8 - Fuse



As continued product improvement is a policy of Powerline, specifications are subject to change without notice.



## POWERLINE EQUIPMENT COMPANY

Pulaski Street, Norwalk, CT 06851 USA. Tel: 203-847 2357 Fax: 203-847 6480

[www.powerlinelaundry.com](http://www.powerlinelaundry.com)